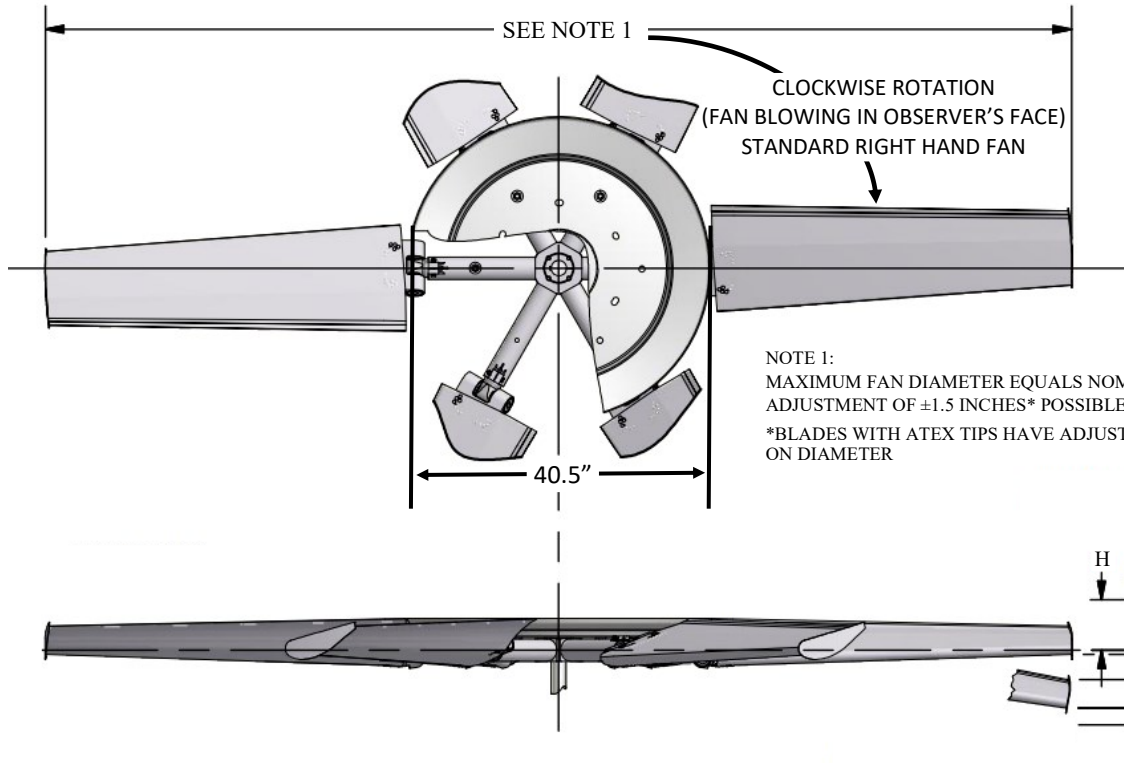
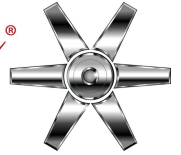


CLASS 10000 HD SERIES 42 SC

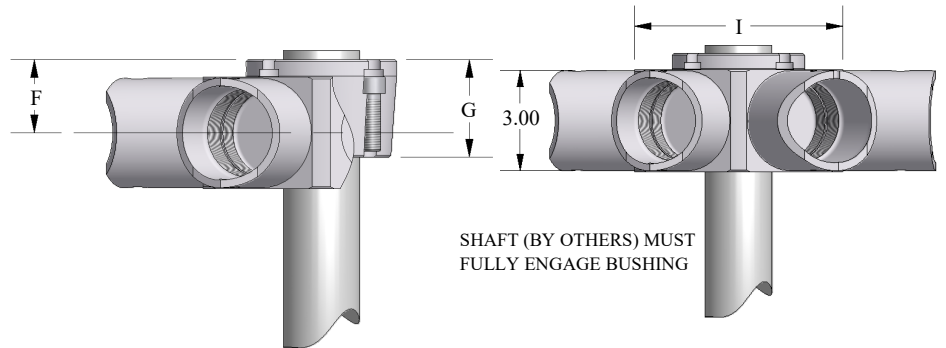
STANDARD HUB, RH ROTATION

Moore
FANS



- A = BLADE TIP THICKNESS @ 19° BLADE ANGLE
- B = RUNNING POSITION OF BLADES
- C = MAXIMUM DROOP POSITION OF BLADES
- D = MINIMUM OBSTACLE CLEARANCE AT INLET
- F = CENTERLINE OF FAN TO BASE OF BUSHING
- G = BUSHING OVERALL HEIGHT
- H = MINIMUM OBSTACLE CLEARANCE AT OUTLET
- I = NOMINAL MECHANICAL HUB DIAMETER
- L = MAXIMUM BUSHING TORQUE FT. LBS.
- # = WITH S.A.E. STANDARD SQUARE KEYWAY
- * = WITH SHALLOW KEYWAY IN BUSHING
- ° = MAX METRIC BORE WITH STANDARD KEYWAY

BUSHING AND/OR AIR SEAL
CAN BE INSTALLED ON INLET
OR OUTLET SIDE OF FAN



WITH FAN OPERATING AT
12000 FT/MINUTE BLADE TIP SPEED

| DIA | PERCENT BLADE LOADING | | | | | | |
|-----|-----------------------|------|------|------|------|------|---|
| | 100% | | 75% | | C | D | H |
| | A | B | B | C | | | |
| 7' | 4.4" | 1.7" | 1.5" | 3.7" | 2.0" | 7.0" | |
| 8' | 4.0" | 2.2" | 1.8" | 4.2" | 2.0" | 7.0" | |
| 9' | 3.6" | 2.7" | 2.2" | 4.7" | 2.0" | 7.0" | |
| 10' | 3.2" | 3.3" | 2.6" | 5.3" | 2.0" | 7.0" | |
| 11' | 2.8" | 4.0" | 3.1" | 6.0" | 2.0" | 7.0" | |
| 12' | 2.4" | 4.8" | 3.7" | 6.8" | 2.0" | 7.0" | |
| 13' | 2.0" | 5.7" | 4.3" | 7.7" | 2.0" | 7.0" | |
| 14' | 1.7" | 6.7" | 5.1" | 8.7" | 2.0" | 7.0" | |

| MAX BLADES | BUSHING TYPE | MAX # BORE | MAX * BORE | MAX ° BORE | I | F | G | L |
|------------|--------------|------------|------------|------------|-----|------|------|-------|
| 6 | U | 2.750" | 2.938" | 75 | 7" | 2.0" | 2.7" | 4000 |
| 8 | U | 2.750" | 2.938" | 75 | 9" | 2.0" | 2.7" | 4000 |
| 10 | U | 2.750" | 2.938" | 75 | 12" | 2.0" | 2.7" | 4000 |
| 8 | W | 3.750" | 4.000" | 100 | 9" | 2.2" | 2.8" | 7300 |
| 10 | W | 3.750" | 4.000" | 100 | 12" | 2.2" | 2.8" | 7300 |
| 10 | Z | 5.000" | 5.500" | 140 | 12" | 2.2" | 4.0" | 18000 |